



QT 10.0 Saildrive™

Clean, Green, and Quiet!

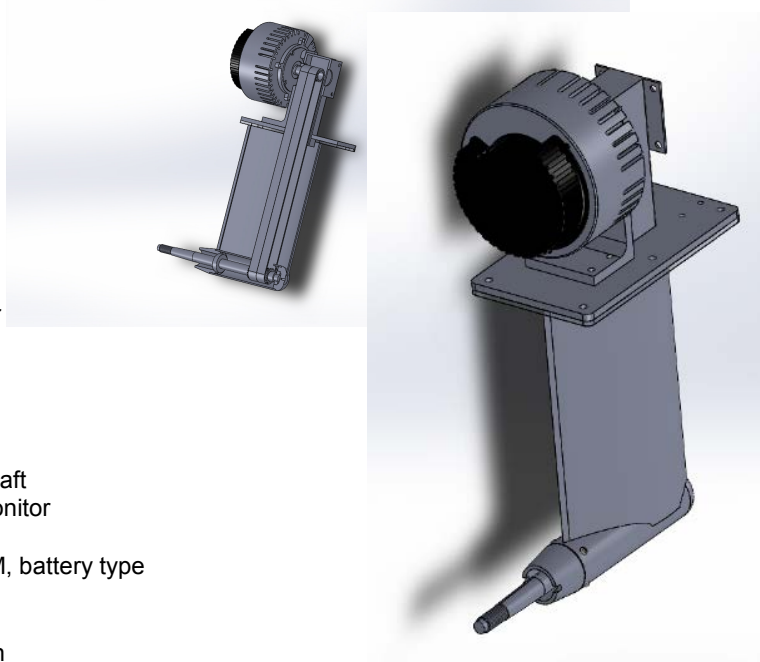
Electric propulsion systems engineered and built by sailors for sailors since 2004!

The QT10.0 Saildrive™ recommended for boats up to 34' (LOA) and 12,000lbs displacement. Built to provide hull speed and maximum range for each installation. Typical battery size is 200Ah 48v or more.

QT 10.0 Saildrive™ from \$7995.00 USD

Specifications & Features

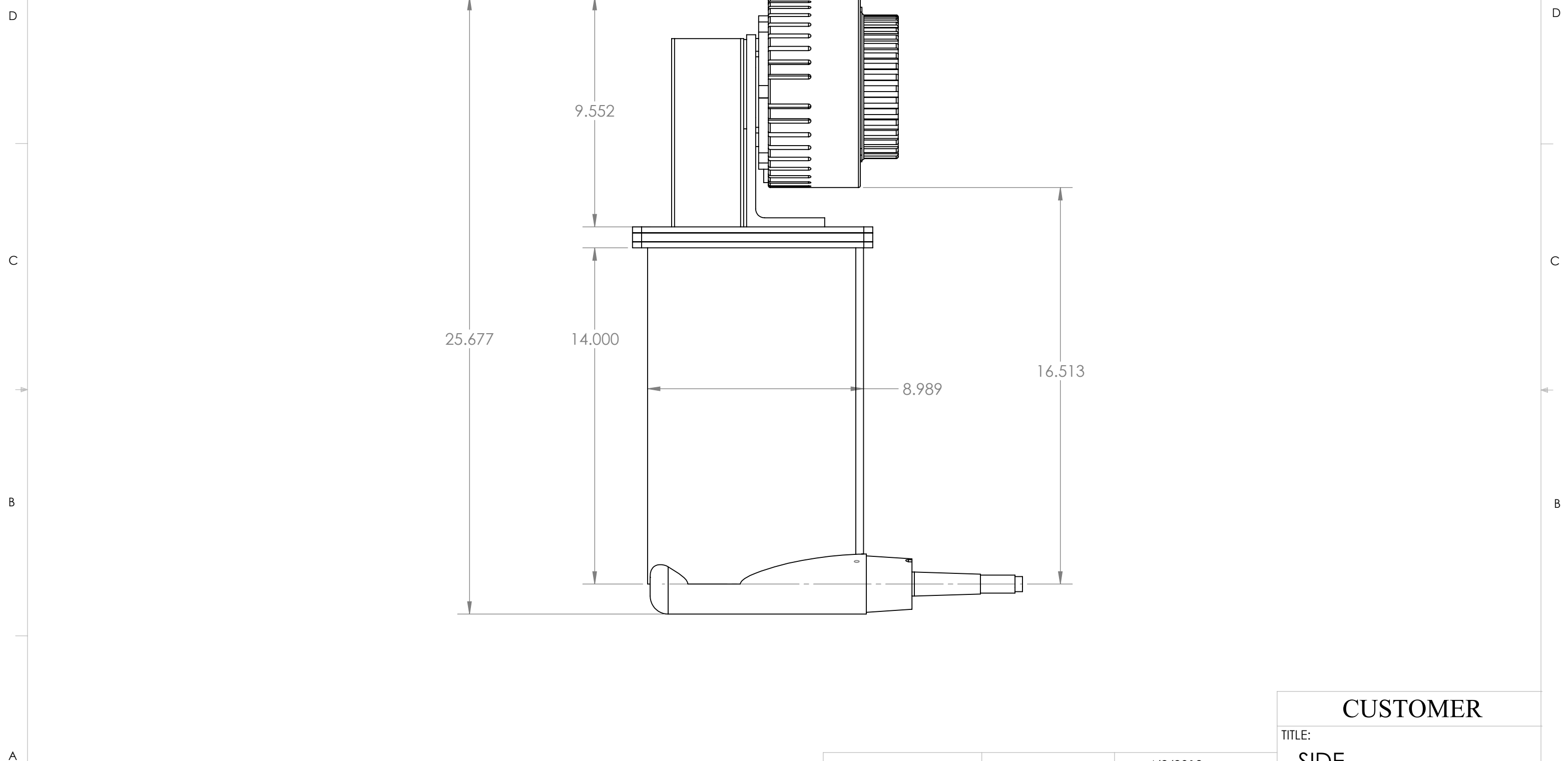
Motor type	PMAC*brushless motor
Voltage	48 volt
Current	200 amps
Max power input	10.0 kW
Weight	62 pounds
Maintenance	No maintenance components
Frame	Anodized Aluminum
Propeller	2 or 3 blade 12 to 16 in Diameter
	Fixed or folding
Lower unit Leg	Carbon Fiber or Aluminum
	Belt drive – no oil/cooling
	Sealed bearings
	No service shaft seals
Propeller Shaft	1 inch stainless steel tapered shaft
System Monitor	High capacity programmable monitor <ul style="list-style-type: none"> • State of charge • Voltage, Current draw, RPM, battery type • Instant and accurate • Distance to discharge • Programmable regeneration
Throttle	Prewired waterproof anodized Aluminum programmable with key & neutral lock
Power Switch	Blue Sea two position switch
Relay	500amp vacuum Tyco relay
Fuse	250amp Class-t fuse & holder



Why Electric Yacht

UNPARALLELED CUSTOMER SERVICE AND ENGINEERING
 Three year warranty
 Designed for simple fast installation

8 7 6 5 4 3 2 1

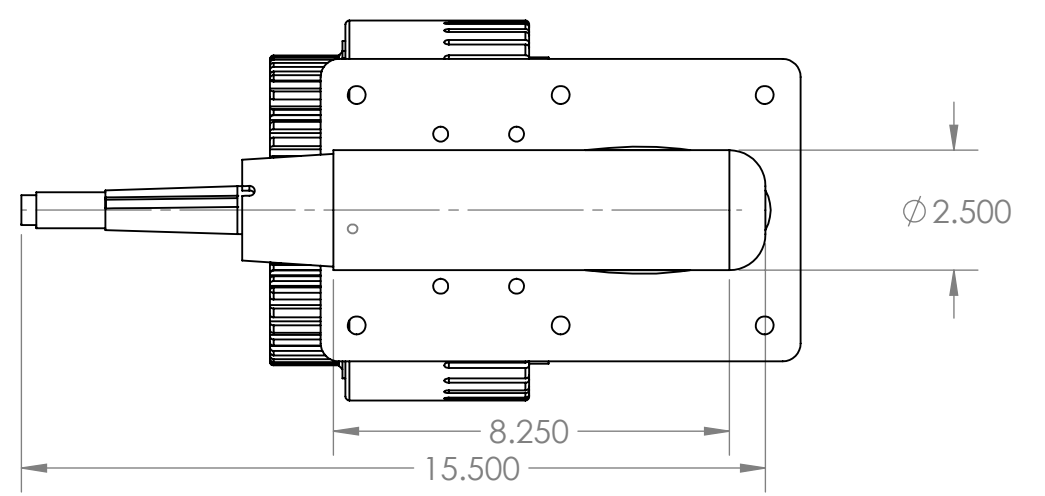
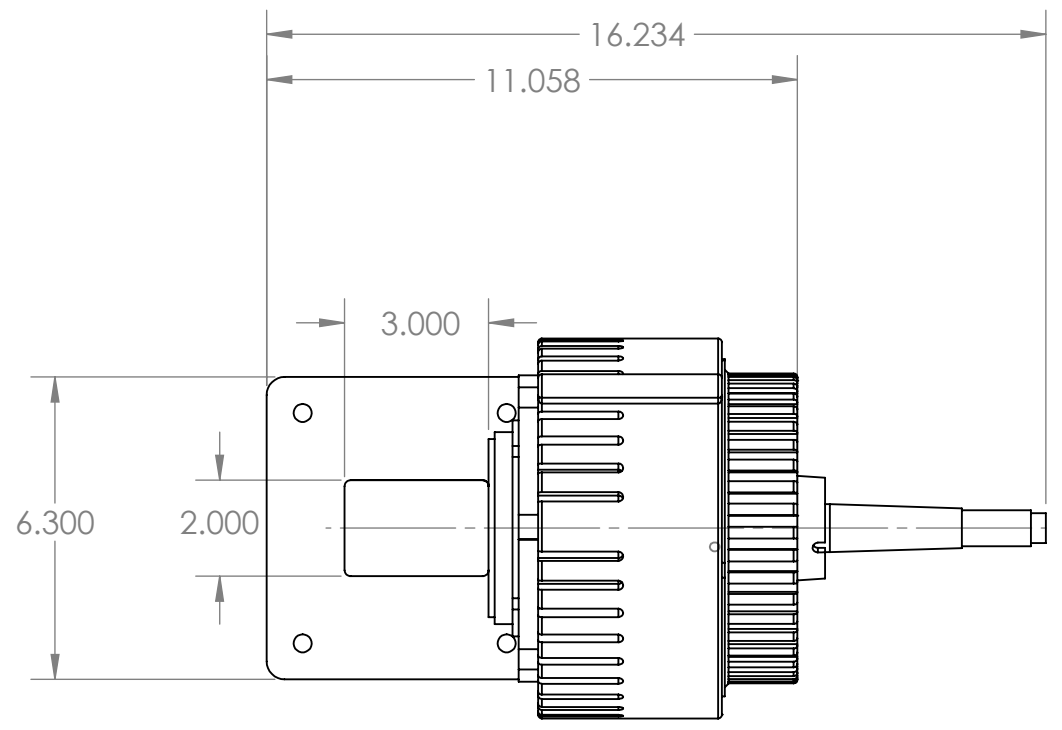


APPROVED BY:		DRAWN BY: MJG		DATE: 4/2/2012		CUSTOMER TITLE: SIDE		
PROPRIETARY AND CONFIDENTIAL THE INFORMATION CONTAINED IN THIS DRAWING IS THE SOLE PROPERTY OF <INSERT COMPANY HERE>. ANY REPRODUCTION IN PART OR AS A WHOLE WITHOUT THE WRITTEN PERMISSION OF <INSERT COMPANY HERE> IS PROHIBITED.		MATERIAL		UNLESS OTHERWISE SPECIFIED:				
		FINISH		DIMENSIONS ARE IN INCHES TOLERANCES: FRACTIONAL $\pm 1/16$ ANGULAR: MACH $\pm 1^\circ$ BEND $\pm 1^\circ$ TWO PLACE DECIMAL $\pm .01$ THREE PLACE DECIMAL $\pm .005$		B	14 SAILDRIVE FINAL	
		DO NOT SCALE DRAWING				SCALE: 1:4	WEIGHT:	SHEET 1 OF 1

8 7 6 5 4 3 2 1

8 7 6 5 4 3 2 1

D
C
B
A



JASM

TITLE:
TOP

APPROVED BY:	DRAWN BY: MJG	DATE: 4/2/2012
PROPRIETARY AND CONFIDENTIAL THE INFORMATION CONTAINED IN THIS DRAWING IS THE SOLE PROPERTY OF <INSERT COMPANY HERE>. ANY REPRODUCTION IN PART OR AS A WHOLE WITHOUT THE WRITTEN PERMISSION OF <INSERT COMPANY HERE> IS PROHIBITED.	MATERIAL	UNLESS OTHERWISE SPECIFIED: DIMENSIONS ARE IN INCHES TOLERANCES: FRACTIONAL ± 1/16 ANGULAR: MACH ± 1° BEND ± 1° TWO PLACE DECIMAL ±.01 THREE PLACE DECIMAL ±.005
	FINISH	
	DO NOT SCALE DRAWING	

SIZE B	DWG. NO. 14 SAILDRIVE FINAL	REV
SCALE: 1:4	WEIGHT:	SHEET 1 OF 1

8 7 6 5 4 3 2 1