



# QT 5.0 Saildrive™

## Clean, Green, and Quiet!

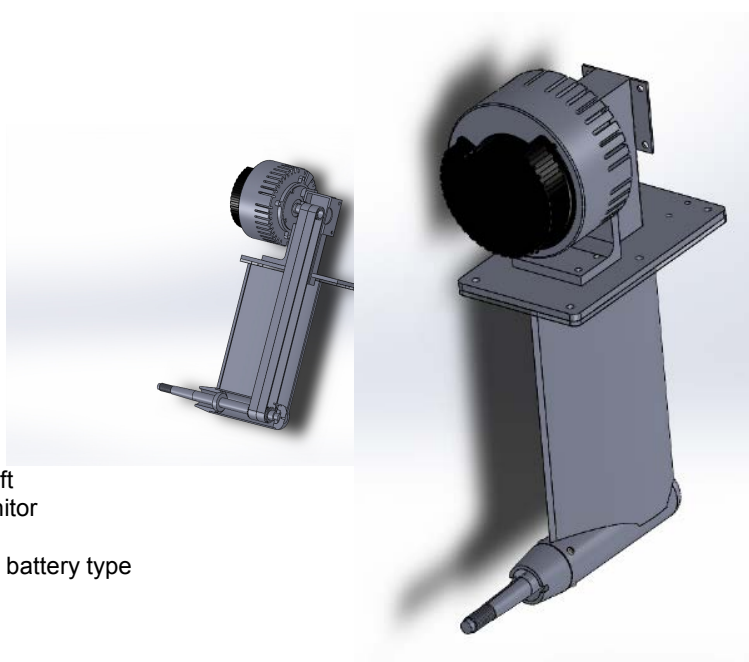
*Electric propulsion systems engineered and built by sailors for sailors since 2004!*

The QT5.0 Saildrive™ recommended for boats up to 28' (LOA) and 7,000lbs displacement. Built to provide hull speed and maximum range for each installation. Typical battery size is 100Ah 48v or more.

**QT 5.0 Saildrive™ from \$6995.00USD**

### Specifications & Features

Motor type	PMAC*brushless motor
Voltage	48 volt
Current	100 amps
Max power input	5.0 kW
Weight	48 pounds
Maintenance	No maintenance components
Frame	Anodized Aluminum
Propeller	2 or 3 blade 12 to 16 in Diameter
	Fixed or folding
Lower unit Leg	Carbon Fiber or Aluminum
	Belt drive – no oil/cooling
	Sealed bearings
	No service shaft seals
Propeller Shaft	1 inch stainless steel tapered shaft
System Monitor	High capacity programmable monitor <ul style="list-style-type: none"> <li>• State of charge</li> <li>• Voltage, Current draw, RPM, battery type</li> <li>• Instant and accurate</li> <li>• Distance to discharge</li> <li>• Programmable regeneration</li> </ul>
Throttle	Prewired waterproof anodized Aluminum programmable with key & neutral lock
Power Switch	Blue Sea two position switch
Relay	500amp vacuum Tyco relay
Fuse	200amp Class-t fuse & holder



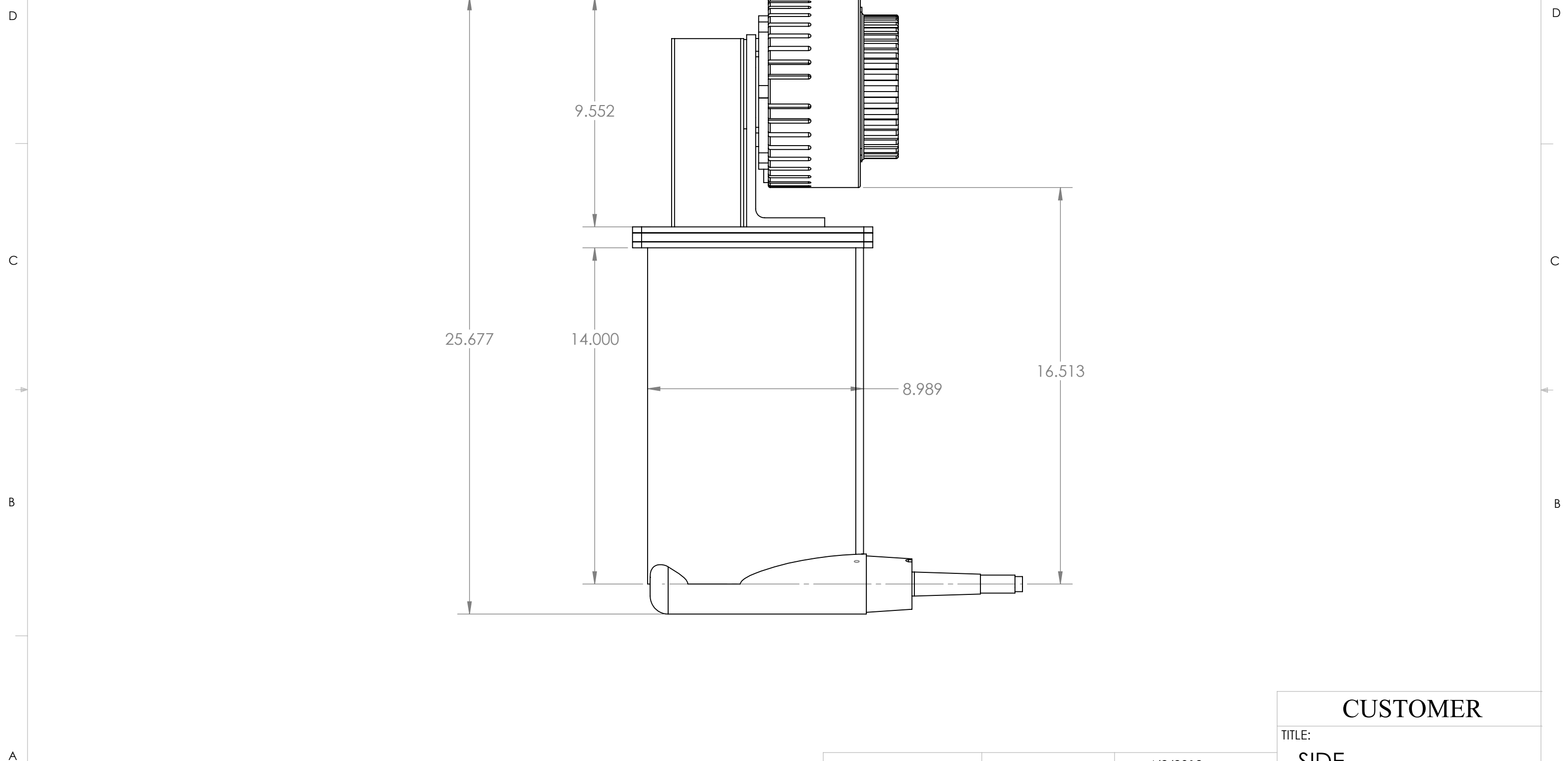
### Why Electric Yacht

UNPARALLELED CUSTOMER SERVICE AND ENGINEERING

Three year warranty

Designed for simple fast installation

8 7 6 5 4 3 2 1

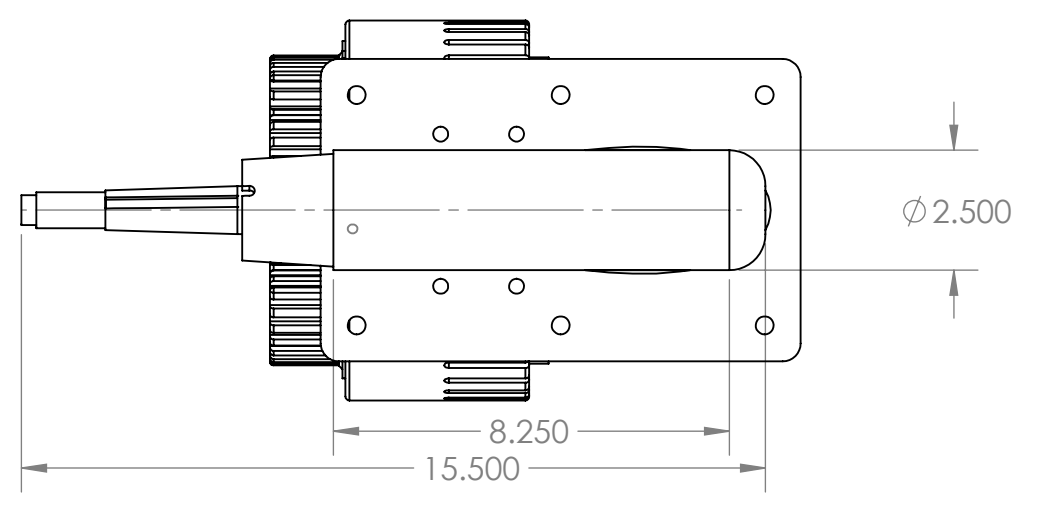
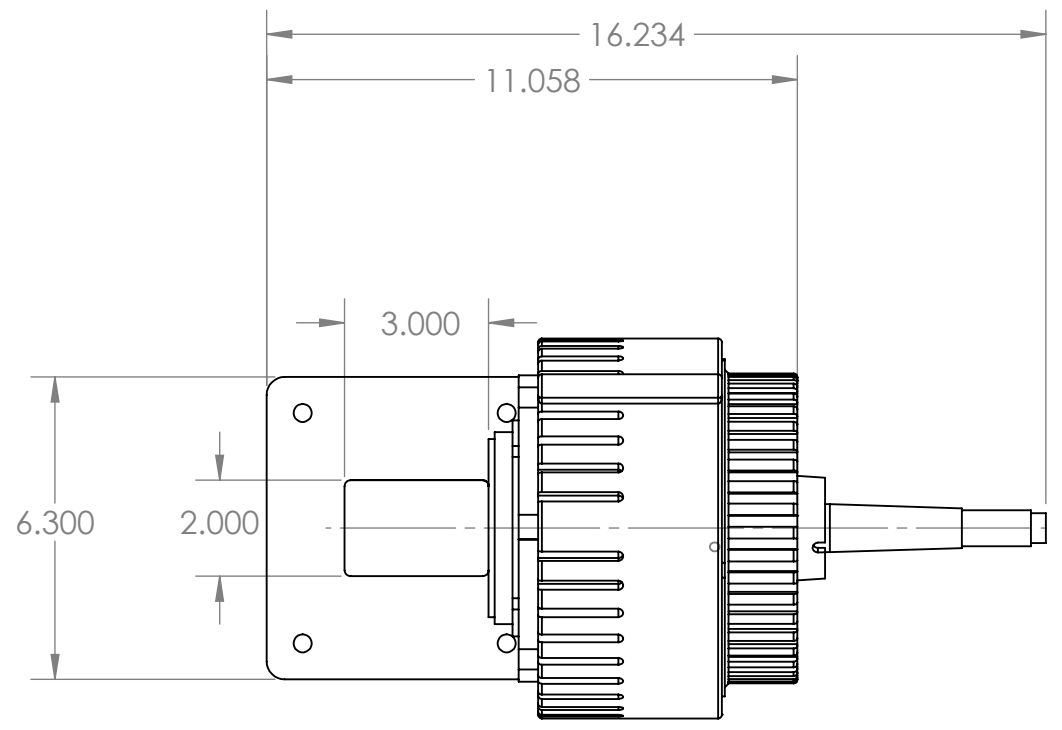


APPROVED BY:  <b>PROPRIETARY AND CONFIDENTIAL</b> THE INFORMATION CONTAINED IN THIS DRAWING IS THE SOLE PROPERTY OF <INSERT COMPANY HERE>. ANY REPRODUCTION IN PART OR AS A WHOLE WITHOUT THE WRITTEN PERMISSION OF <INSERT COMPANY HERE> IS PROHIBITED.		DRAWN BY: MJG	DATE: 4/2/2012	<b>CUSTOMER</b>		
		UNLESS OTHERWISE SPECIFIED: DIMENSIONS ARE IN INCHES TOLERANCES: FRACTIONAL $\pm 1/16$ ANGULAR: MACH $\pm 1^\circ$ BEND $\pm 1^\circ$ TWO PLACE DECIMAL $\pm .01$ THREE PLACE DECIMAL $\pm .005$		TITLE: <b>SIDE</b>	SIZE <b>B</b>	DWG. NO. 14 SAILDRIVE FINAL
DO NOT SCALE DRAWING				SCALE: 1:4	WEIGHT:	SHEET 1 OF 1

8 7 6 5 4 3 2 1

8 7 6 5 4 3 2 1

D  
C  
B  
A



<b>JASM</b>		
TITLE: <b>TOP</b>		
SIZE <b>B</b>	DWG. NO. <b>14 SAILDRIVE FINAL</b>	REV
SCALE: 1:4	WEIGHT:	SHEET 1 OF 1

APPROVED BY:	DRAWN BY: MJG	DATE: 4/2/2012
<b>PROPRIETARY AND CONFIDENTIAL</b> THE INFORMATION CONTAINED IN THIS DRAWING IS THE SOLE PROPERTY OF <INSERT COMPANY HERE>. ANY REPRODUCTION IN PART OR AS A WHOLE WITHOUT THE WRITTEN PERMISSION OF <INSERT COMPANY HERE> IS PROHIBITED.	MATERIAL	UNLESS OTHERWISE SPECIFIED: DIMENSIONS ARE IN INCHES TOLERANCES: FRACTIONAL ± 1/16 ANGULAR: MACH ± 1° BEND ± 1° TWO PLACE DECIMAL ± .01 THREE PLACE DECIMAL ± .005
	FINISH	
	DO NOT SCALE DRAWING	

8 7 6 5 4 3 2 1