

# **THE KID** *By Mario*

## MIDNITE MPPT CHARGE CONTROLLERS

MIDNITE SOLAR INC.

### ***The finest 30 amp MPPT charge controller!***

The KID is the most versatile medium sized charge controller on the market. Ideal for small renewable energy systems. The KID allows for true input paralleling. As your power needs grow, add more modules to the array and a second KID. This will give twice the power from a single array. For Wind and Hydro use MidNite's WIND KID. The WIND KID comes with the KID CLIPPER.

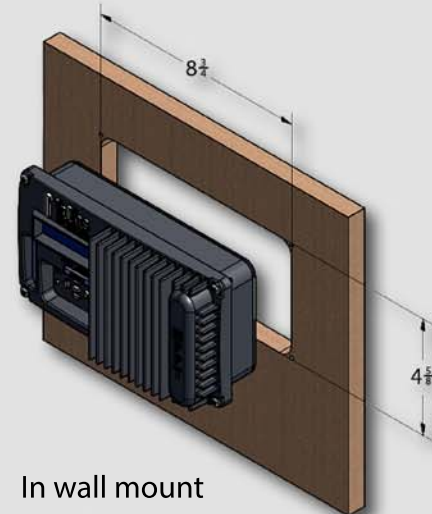
***As of October 2014 a new Kid (MNKID-AGS) will be available with Gen-Start and an advanced Lighting Controller. Check our online price list at that time!***

#### PRODUCT FEATURES

- MPPT Tracking
- True paralleling - Inputs and Outputs for two KIDs
- Up to 150V input
- MidNite's exclusive HyperVOC extends the input voltage beyond 150 VOC for cold climates
- 12V, 24V, 36V, 48V battery output
- Lighting Controller: dusk+hours, daylight and night-light settings
- Up to 30 amps battery output with low input voltage based off of PV configuration
- No fan
- Reverse polarity protected
- Battery Temp Sensor standard with marine version
- Front panel exchangeable fuses for battery, input and load/clipper.
- 3 LED bar graph for battery status at a glance
- Keypad for access to extensive menu items and set points
- Includes wall mount adapter (Boat mount bracket included on marine versions)
- Sealed for harsh environments
- THE KID IS CERTIFIED TO UL1741 & UL458 (MARINE SUPPLEMENT)  
With the UL458 marine supplement, THE KID meets very strict vibration, environment, and thermal requirements.
- Built in Arlington, WA USA



View with wall mount



In wall mount



Optional marine version is available in black or white.

The KID's HyperVOC feature allows up to 162VOC . (The KID will not be harmed by voltages between 150 and 162VDC (this is the HyperVOC range). However the KID will remain in standby until the

[www.midnitesolar.com](http://www.midnitesolar.com)

17722 67th Ave. NE., Arlington, WA. 360-403-7207 FAX: 360-691-6862

# THE KID

MIDNITE SOLAR INC.



## MIDNITE MPPT CHARGE CONTROLLERS

### PRODUCT SPECIFICATIONS

Operating Input Voltage	150VDC
Nominal Battery Voltage	12V through 48V
Maximum Output Current	30A
PV Open Circuit Voltage VOC	150VDC + HyperVOC (162VOC)
HyperVOC (See page bottom)	Extended VOC range for cold climates
Charging Regulation	Bulk, Absorb, Float as well as Equalization
Battery Voltage Range	9V TO 64V
Equalization Charging	Adjustable Voltage and Duration, Manual or Auto
Battery Temp Compensation (Standard marine version - optional otherwise)	Automatic when BTS is installed, Adjustable mV per degree C per 2 volt cell
Programmable Auxiliary Control Output	1 - I/O Aux communication or with Wizbang Jr.
Status Display	LCD plus status LEDs
Networking Cabling	Standard 4 conductor phone cable, no hub needed
Communications	RS232 openly published protocols and USB
Load Terminal	30A configurable as battery load or wind clipper
Solar	Standard
Wind & Hydro	NO (standard on the WIND KID MPPT Charge Controller)
Operating Temperature	Min. of -40C to 50C - Controller will auto derate as temperature rises above 25C
Environmental Rating	Indoor IP64 type 1 (IP22 with drip shield)
Conduit knock Outs	2
Warranty	2 Year
Lighting Controller	Highly customizable via keypad (dusk+hours, daylight and night-light)
Weight	6 Lbs.
Dimensions	9 1/4"L x 5"H x 3 5/16"W (23.5CM x 12.7CM x 8.4CM)
Shipping Dimensions	12"L x 8"H x 6"W (30.48CM x 20.32CM x 15.24CM)
Options	3ft. network cable, external load, boat mount bracket
Certifications	ETL for US & Canada, CE Certified, FCC Class B
True Paralleling	Inputs and Outputs between 2 units with smart active current sharing
Battery Types	Flooded, AGM, Gel, Calcium SMF, Lithium BMS, Custom
UL1741 & UL458 (Marine Supplement)	With the UL458 marine supplement, THE KID meets very strict vibration, environment, and thermal requirements

*HyperVOC: A non-operative VOC safety zone over and above the maximum input voltage for cold climates.*

